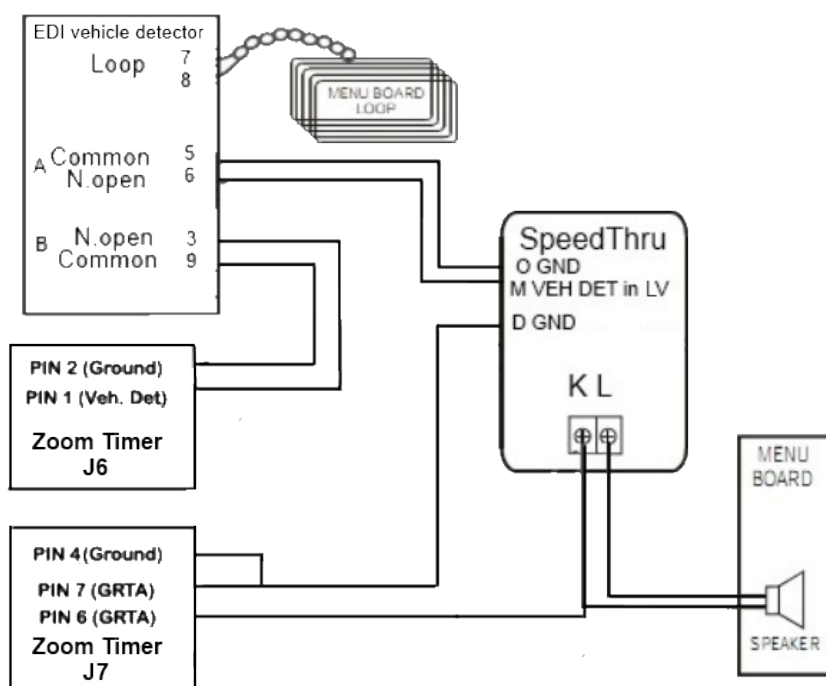


## SpeedThru to Zoom Timer

Wentworth Technology  
SpeedThru to HME Zoom Timer connection



Wire exactly as shown.

1. Connect pin D on the SpeedThru to Zoom Timer connector J7 pins 4 and 7.
2. Connect pin K on the SpeedThru to Zoom Timer connector J7 pin 8.  
**\*\*\*\*DO NOT wire SpeedThru pin L to the Zoom timer, it is possible to damage the timer if wired incorrectly.\*\*\*\***
3. Connect EDI detector output B, pin 3 to Zoom Timer J6 pin 1
4. Connect EDI detector output B, pin 9 to Zoom Timer J6 pin 2.

Make sure the dip switch settings are correct on the EDI detector.

LMA200 - DIP7 ON DIP8 OFF

LMA1250 -DIP6 ON DIP7 OFF